



in the office
FURNITURE

7

POD BENCHING / PANEL DESKING

pod benching systems










The Pod aluminium benching system offers functional and aesthetic appeal, and delivers creative solutions to a variety of space planning and functional needs, with endless construction possibilities, from management to open plan cluster benching systems. Various options relating to storage, cable management and screening systems, allow for highly flexible workstations.

pod product structure



The pod aluminium benching systems has a integrated cable management facility, that delivers convenient power and data to workstations. Power and data points can be located at workstation height, or just below, for easy access.


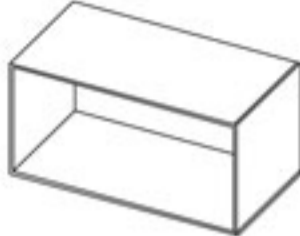
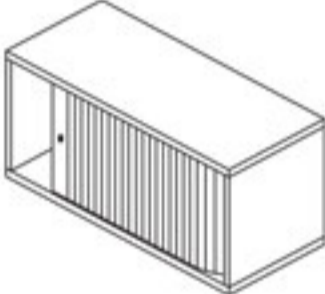






pod - product structure

	description	size	code
	desk top - lhs/ rhs for single and side by side workstations with one power cut out		
	desk top - lhs/ rhs for single workstations with one power cut out		
	lhs pod single desk structure leg structure including 2000(w) x 800(d), top - 22mm includes power channel and power cut out	2000(w) x 800(d)	2080PL
	rhs pod single desk structure	2000(w) x 800(d)	2080PR
	lhs pod single desk structure leg structure including 1800(w) x 800(d), top - 22mm includes power channel and power cut out	1800(w) x 800(d)	1880PL
	rhs pod single desk structure	1800(w) x 800(d)	1880PR
	pod cluster desk top with power slot	1800(w) x 800(d) 1600(w) x 800(d) 1400(w) x 800(d) 22mm	
	pod 2 way desk structure leg structure including 2 x 1800/1600/1400(w) x 800(d) tops includes 1 x power tray and 2 x power slots	1800(w) x 1600(d) 1600(w) x 1600(d) 1400(w) x 1600(d)	1816P 1616P 1416P
	pod 4 way desk structure leg structure including 4 x 1800/1600/1400(w) x 800(d) tops includes 2 x power trays and 4 x power slots	3600(w) x 1600(d) 3200(w) x 1600(d) 2800(w) x 1600(d)	3616P 3216P 2816P
	pod 6 way desk structure leg structure including 6 x 1800/1600/1400(w) x 800(d) tops includes 3 x power trays and 6 power slots	5400(w) x 1600(d) 4800(w) x 1600(d) 4200(w) x 1600(d)	5416P 4816P 4216P

pod with single tier top filers and mobile pedestals




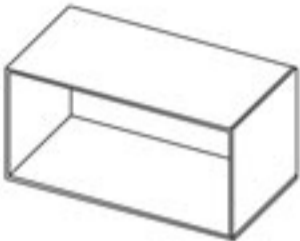
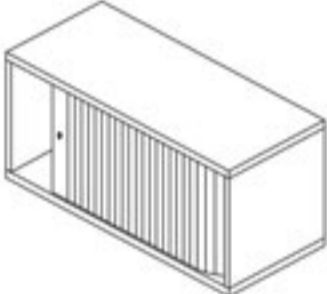

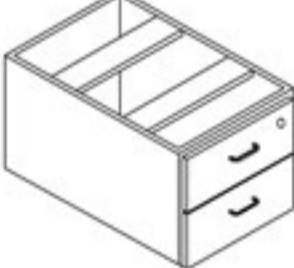

pod with single tier top filers and mobile pedestal

	description	size	code
	pod cluster desk top with power slot	refer to pod product structure page for desk top sizes	
	open single tier desktop storage unit	800(w) x 400(h) x 400(d)	PB3801
	roller door single tier desktop storage unit roller door available in silver and charcoal	800(w) x 400(h) x 400(d)	SPB3802 CPB3802
	mobile pedestal 1S1F drop in pen & pencil tray with plan b handles	400(w) x 550(d) x 590(h)	PB2009
	mobile pedestal 3S drop in pen & pencil tray with plan b handles	400(w) x 550(d) x 590(h)	2007
	mobile pedestal 1S1F with pull out pen & pencil drawer with plan b handles	400(w) x 550(d) x 590(h)	PB2010
	mobile pedestal 3S with pull out pen & pencil drawer with plan b handles	400(w) x 550(d) x 590(h)	PB2008
	mobile pedestal 1S1F drop in pen & pencil tray with cushion and weight bearing castors with plan b handles specify fabric and colour for cushion with order price includes all vulcan fabric colours	400(w) x 550(d) x 630(h)	610
	mobile pedestal 3S drop in pen & pencil tray with cushion and weight bearing castors with plan b handles specify fabric and colour for cushion with order price includes all vulcan fabric colours	400(w) x 550(d) x 630(h)	630

pod with single tier open top filer and suspended pedestals



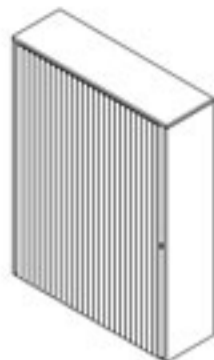
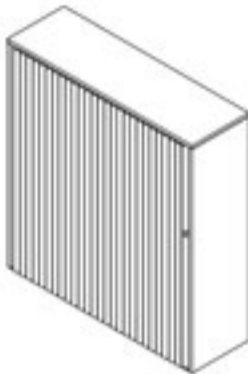

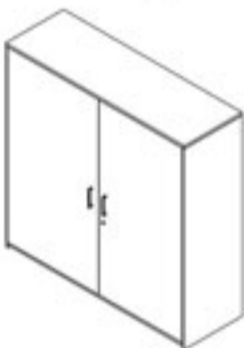
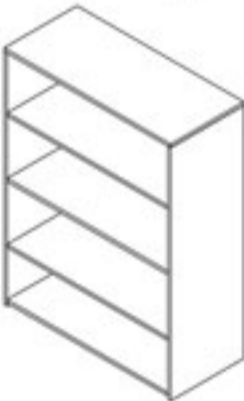
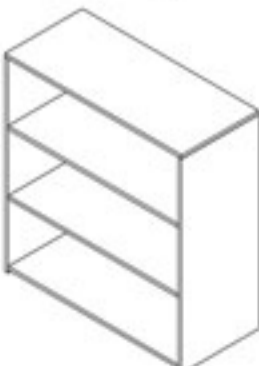
pod - single tier open top filer and suspended pedestals

	description	size	code
	pod - cluster desktop with power slot	refer to pod product structure page for desk top sizes	
	open single tier desktop storage unit	800(w) x 400(h) x 400(d)	N3801
	roller door single tier desktop storage unit roller door available in silver and charcoal	800(w) x 400(h) x 400(d)	SN3802 CN3802
	suspended pedestal 151F with drop in pen & pencil tray with plan b handle	400(w) x 550(d) x 396(h)	CPU100
	suspended pedestal 2S with drop in pen & pencil tray with plan b handle	400(w) x 550(d) x 216(h)	CPU200
	suspended pedestal 3S with drop in pen & pencil tray with plan b handle	400(w) x 550(d) x 396(h)	CPU300

pod cabinets and bookcase storage



pod - cabinets and bookcase storage

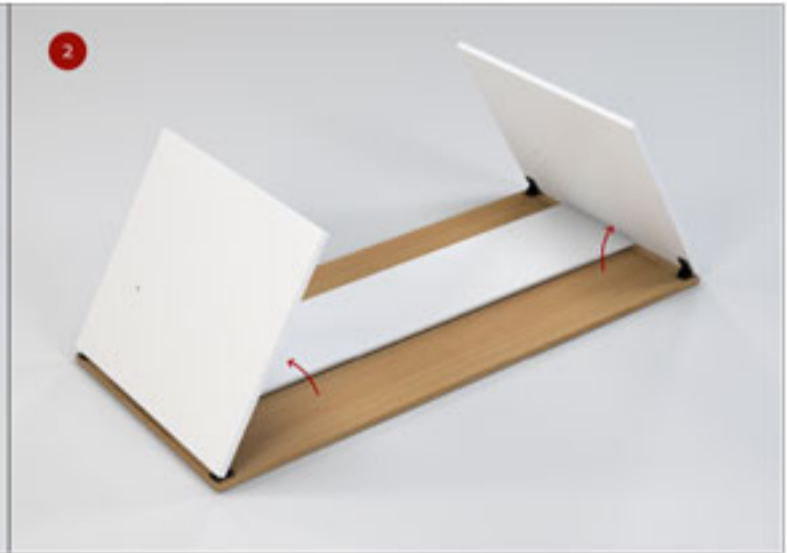
	description	size	code
	cabinet roller door roller door available in silver and charcoal	1800(h) x 1200(w) x 500(d)	S5077
		1800(h) x 1200(w) x 500(d)	C5077
		1500(h) x 1200(w) x 500(d)	S5007
		1500(h) x 1200(w) x 500(d) 22mm top and bottom	C5007
	cabinet roller door roller door available in silver and charcoal	1200(h) x 1200(w) x 500(d)	S5108
		1200(h) x 1200(w) x 500(d)	C5108
		1200(h) x 900(w) x 500(d)	S5118
		1200(h) x 900(w) x 500(d) 22mm top and bottom	C5118
	cabinet hinge door with plan b handles	1800(h) x 1100(w) x 500(d) 22mm top and bottom	PB5009C
		1800(h) x 900(w) x 500(d) 22mm top and bottom	PB5009B
		1500(h) x 1100(w) x 500(d) 22mm top and bottom	PB5009A
		1500(h) x 900(w) x 500(d) 22mm top and bottom	PB5009D
	cabinet hinge door with plan b handles	1200(h) x 1100(w) x 500(d) 22mm top and bottom	PB5010
		1200(h) x 900(w) x 500(d) 22mm top and bottom	PB5010A
	note: refer to page	for all internal components for cabinets	
	bookcase including laminate shelves	1500(h) x 1100(w) x 350(d) 22mm top and bottom	PB5011
		1500(h) x 900(w) x 350(d) 22mm top and bottom	PB5011A
	bookcase including laminate shelves	1200(h) x 1100(w) x 350(d) 22mm top and bottom	PB5012
		1200(h) x 900(w) x 350(d) 22mm top and bottom	PB5012A

panel desking

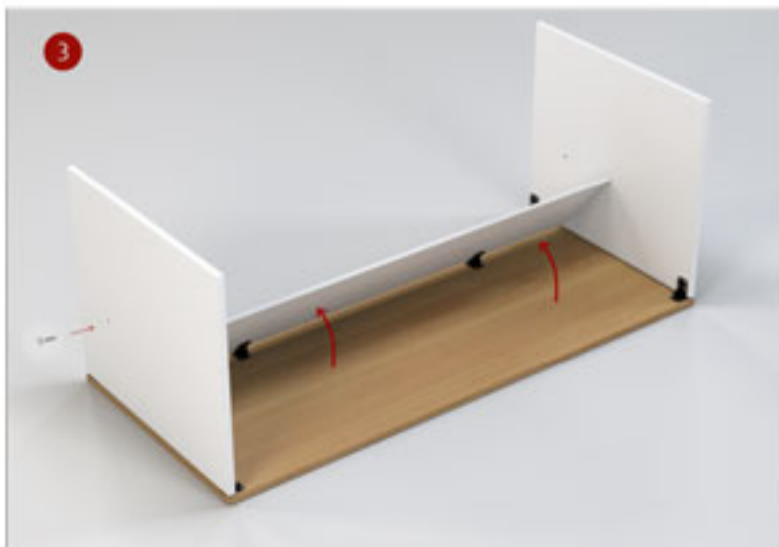


With its traditional design, the Panel desking range fit into any working environment, and offers styles that combine aesthetics and maximum efficiency at an affordable price.

puzzle panel



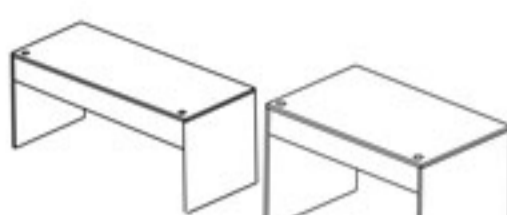
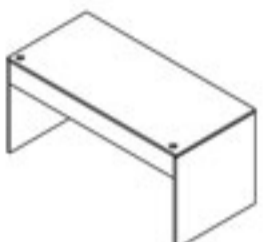


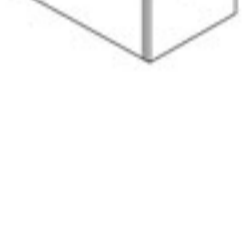
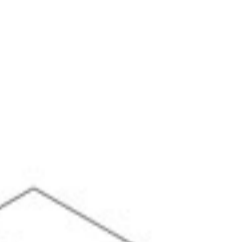

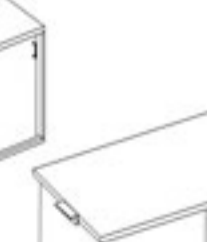

1. puzzle desk in flatpack form with allen key in packet for assembly
2. lift panel legs vertically to allow for modesty panel assembly



3. lift modesty panel vertically for assembly and assemble panel legs to modesty panel with m6/ 13 screws
4. flip desk over for use

The puzzle range of desking has been designed utilizing an ingenious hinge connector system, enabling the product to be delivered or stored in a knock-down/flat pack format and assembled for use in a matter of minutes, as depicted in the assembly drawings above.

puzzle - product list

	description	size	code
	<p>puzzle desk 16mm top, including panel legs 16mm and modesty panel 16mm with 2 power cut outs and puzzle assembly brackets</p>	1800(w) x 750(d)	PZ100
	<p>puzzle desk 16mm top, including panel legs 16mm and modesty panel 16mm with 2 power cut outs and puzzle assembly brackets</p>	1600(w) x 750(d)	PZ200
	<p>puzzle l/extension - lhs 16mm top, with 16mm panel leg, modesty panel 16mm with puzzle assembly brackets</p>	1100(w) x 600(d)	PZ300
	<p>puzzle l/extension - rhs 16mm top, with 16mm panel leg, modesty panel 16mm with puzzle assembly brackets</p>	1100(w) x 600(d)	PZ400
	<p>suspended pedestal with drop in pen & pencil tray 1 standard drawer 1 deep filer no top with whalebone handle</p>	400(w) x 550(d) x 396(h)	CPU101
	<p>suspended pedestal with drop in pen & pencil tray 2 standard drawers no top with whalebone handle</p>	400(w) x 525(d) x 450(h)	CPU201
	<p>1S1F mobile pedestal with drop in pen and pencil tray 1 standard drawer 1 deep filer with whalebone handle</p>	400(w) x 525(d) x 450(h)	4006
	<p>3S mobile pedestal drop in pen and pencil tray 3 standard drawers no top with whalebone handle</p>	400(w) x 525(d) x 450(h)	4007
	<p>sliding door credenza 16mm top and bottom including 3/3 laminated shelf and storage bracket with whalebone handle</p>	1100(w) x 500(d) x 730(h) 16mm top and bottom	PZ8210
	<p>sliding door credenza 16mm top and bottom including 2/3 laminated shelf and storage bracket with whalebone handle</p>	900(w) x 500(d) x 730(h) 16mm top and bottom	PZ8211




in the office
FURNITURE

MAKE YOUR WORKPLACE A HAPPY SPACE

Contact Adel on 063 246 2997 or Michael on 083 627 8203
adel@itofurniture.co.za or michael@itofurniture.co.za
www.itofurniture.co.za