

 ALYA

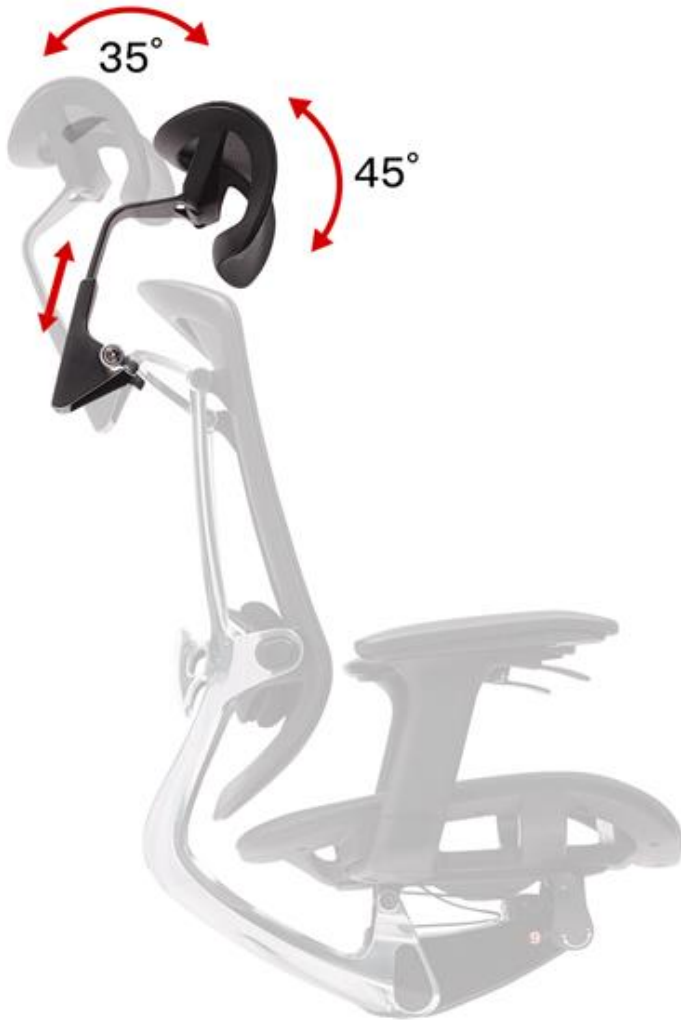


ALYA

“a way of life”

**FEATURES &
SPECIFICATIONS**

■ HEADREST ADJUSTMENT



The **upholstered headrest** has 5 levels of height adjustment; 45 degree rotation and 35 degree angle adjustment for full neck and head support.

■ BACKREST ANGLE ADJUSTMENT



The **backrest angle** can
be adjusted
Independently by 10
degrees.

SEAT DEPTH ADJUSTMENT



The **seat depth** can be horizontally adjusted in 5 positions by 4cm.

■ LUMBAR SUPPORT ADJUSTMENT



The **lumbar support** is upholstered for superior comfort and can be incrementally adjusted by 5cm.

■ BACKREST TENSION ADJUSTMENT



The **backrest tilting tension** can be increased or decreased by turning the tension knob.

■ 4D ADJUSTABLE ARMRESTS



The adjustable armrests offer 4 degrees of freedom to suit all users and applications.

■ ARMREST HEIGHT ADJUSTMENT



The **height** of the armrest can be adjusted by 6cm.

■ ARMREST ANGLE ADJUSTMENT



The arm pad has a soft PU surface and can **pivot** through 30 degrees.

■ BACKREST TILT ADJUSTMENT



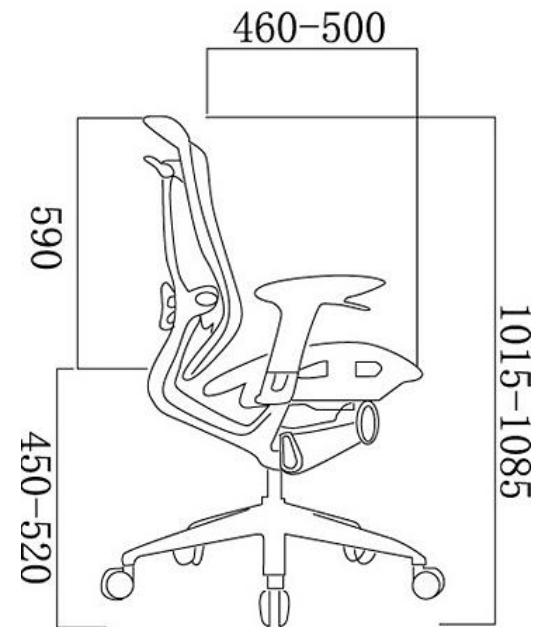
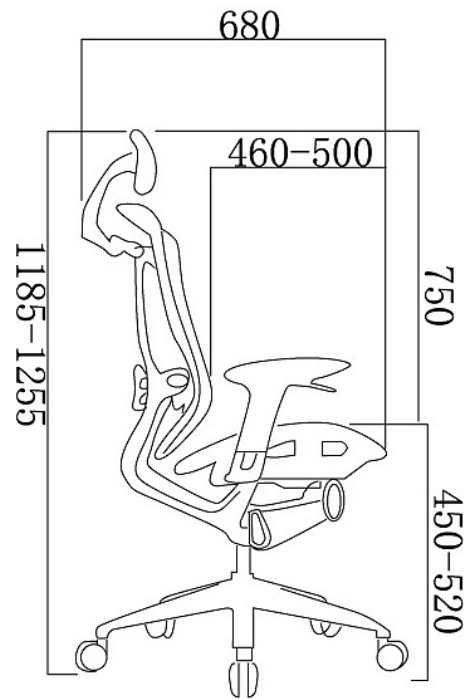
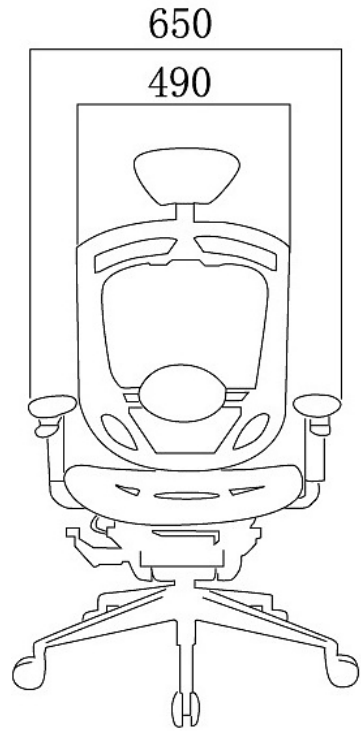
The smart-shift paddle on one of the adjustable armrests controls the chair's **backrest tilt**, allowing 33 degrees movement in 15 increments.

SEAT HEIGHT ADJUSTMENT



The chair's **height** is controlled by the smart-shift paddle on the other adjustable armrest.

PRODUCT SPECIFICATIONS



*Measurement in millimeter

TRIPPLE ACCREDITATION

BIFMA
(QUALITY)



TÜV SÜD
(ERGONOMICS)



GREENGUARD
(ENVIRONMENTAL)

