



in the office
FURNITURE

4

38 BENCHING

38² benching system











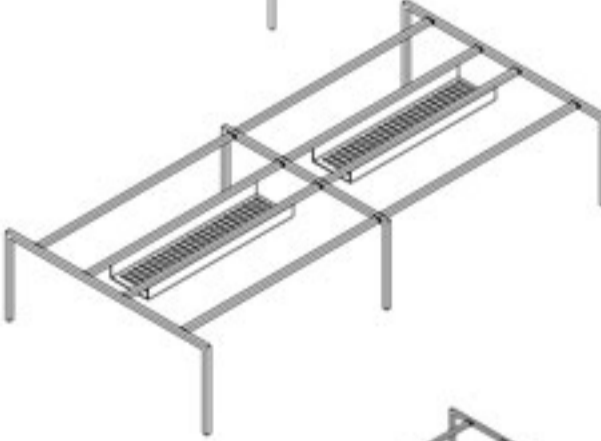
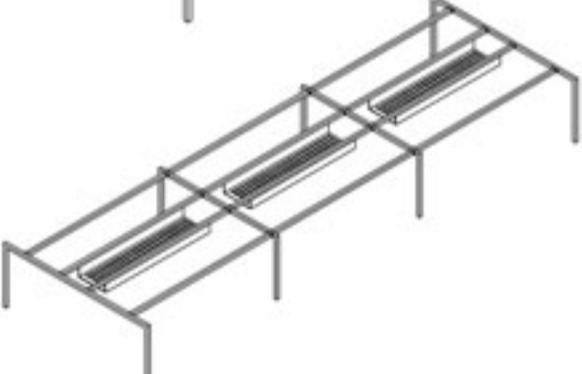
The 38² benching system is a modular, easily configured and re-configured product, and is manufactured and assembled using a support beam based leg system, with additional architectural beams for supporting reticulation trays, screening, third level storage and accessories. The 38² benching system allows for variety and customization, resulting in space saving, cost saving and productivity.

38² product structure



The 38² benching systems has an integrated cable management facility, that delivers convenient power and data to workstations. Power and data points can be located at workstations height, or just below, for easy access.



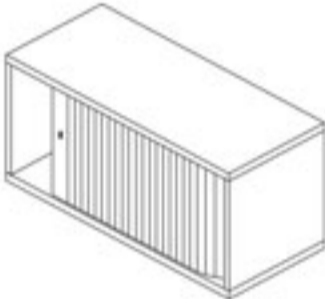




38² - product structure

	description	size	code
	desk top - lhs/rhs for single and side by side workstations with one power cut out		
	desk top - lhs/rhs for single and side by side workstations with one power cut out		
	lhs 38² single desk structure including 2000(w) x 800(d), top - 22mm with power cut out and one power channel	2000(w) x 800(d)	2080L
	rhs 38² single desk structure	2000(w) x 800(d)	2080R
	lhs 38² single desk structure including 1800(w) x 800(d), top - 22mm with power cut out and one power channel	1800(w) x 800(d)	1880L
	rhs 38² single desk structure	1800(w) x 800(d)	1880R
	38² two way side by side desk structure straight leg structure including 2 x 1800/1600/1400/1200(w) - 22mm tops with 2 x power cut out and 2 x power channel	3600(w) x 800(d) 3200(w) x 800(d) 2800(w) x 800(d) 2400(w) x 800(d)	3680 3280 2880 2480
	desk top for cluster workstations with power slot		
	38² 2 way desk structure including 2 x 1800/1600/1400/1200(w) x 800(d) - 22mm tops includes 1 x power tray and 2 power cut outs	1800(w) x 1600(d) 1600(w) x 1600(d) 1400(w) x 1600(d) 1200(w) x 1600(d)	1816 1616 1416 1216
	38² 4 way desk structure including 4 x 1800/1600/1400/1200(w) x 800(d) - 22mm tops includes 2 x power trays and 4 power slots	3600(w) x 1600(d) 3200(w) x 1600(d) 2800(w) x 1600(d) 2400(w) x 1600(d)	3616 3216 2816 2416
	38² 6 way desk structure including 6 x 1800/1600/1400/1200(w) x 800(d) - 22mm tops with 3 power trays and 6 power slots	5400(w) x 1600(d) 4800(w) x 1600(d) 4200(w) x 1600(d) 3600(w) x 1600(d)	5416 4816 4216 3616

38² cluster options - with single tier top filers & mobile pedestals




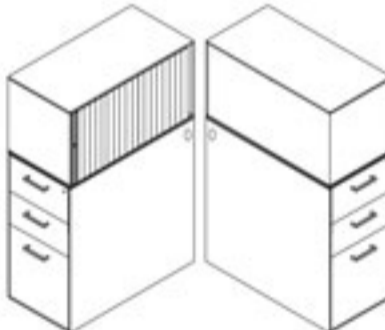
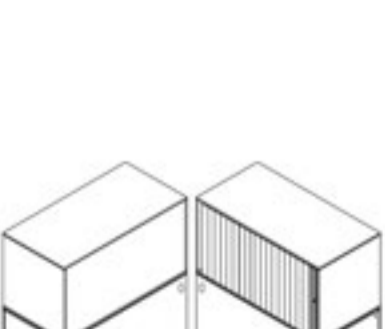


38² - cluster options with single tier top filers and mobile pedestals

	<u>description</u>	<u>size</u>	<u>code</u>
	desk top for cluster workstations with power slot	refer to 38 ² product structure page for desk top sizes	
	open single tier desktop storage unit	800(w) x 400(h) x 400(d) 22mm top	3801
	roller door single tier desktop storage unit roller door available in silver and charcoal	800(w) x 400(h) x 400(d) 22mm top	S3802 C3802
	mobile pedestal 1S1F drop in pen & pencil tray plan b handles	400(w) x 550(d) x 590(h)	PB2009
	mobile pedestal 3S drop in pen & pencil tray plan b handles	400(w) x 550(d) x 590(h)	PB2007
	mobile pedestal 1S1F drop in pen & pencil tray with cushion and weight bearing castors and plan b handles specify fabric and colour for cushion with order price includes all vulcan fabric colours	400(w) x 550(d) x 630(h)	610
	mobile pedestal 3S drop in pen & pencil tray with cushion and weight bearing castors and plan b handles specify fabric and colour for cushion with order price includes all vulcan fabric colours	400(w) x 550(d) x 630(h)	630

38² cluster options with desk height pedestal and single tier top filer combo





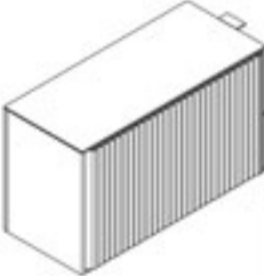
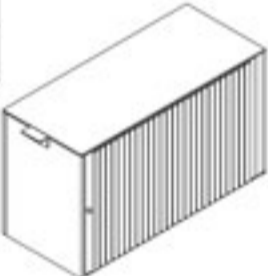

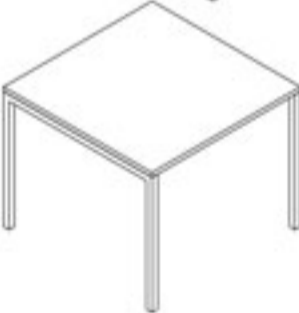




38² cluster options with desk height pedestal and single tier top filer combo

	description	size	code
	cluster desk top with power slot	refer to 38 ² product structure page for desk top sizes	
	2S1F desk height pedestal - lhs with drop in pen and pencil tray with plan b handles and single tier open bookcase fixed on top of pedestal and dual power cut outs in desk height pedestal	1140(h) x 400(w) x 800(d)	1200
	2S1F desk height pedestal - rhs with drop in pen and pencil tray with plan b handles and single tier open bookcase fixed on top of pedestal and dual power cut outs in desk height pedestal	1140(h) x 400(w) x 800(d)	1300
	4S desk height pedestal - lhs with drop in pen and pencil tray with plan b handles and single tier open bookcase fixed on top of pedestal and dual power cut outs in desk height pedestal	1140(h) x 400(w) x 800(d)	1400
	4S desk height pedestal - rhs with drop in pen and pencil tray with plan b handles and single tier open bookcase fixed on top of pedestal and dual power cut outs in desk height pedestal	1140(h) x 400(w) x 800(d)	1500
	2S1F desk height pedestal - lhs with drop in pen and pencil tray with plan b handles and single tier roller door bookcase fixed on top of pedestal and dual power cut outs in desk height pedestal roller door available in silver and charcoal	1140(h) x 400(w) x 800(d)	S1600 C1600
	2S1F desk height pedestal - rhs with drop in pen and pencil tray with plan b handles and single tier roller door bookcase fixed on top of pedestal and dual power cut outs in desk height pedestal roller door available in silver and charcoal	1140(h) x 400(w) x 800(d)	S1700 C1700
	4S desk height - lhs with drop in pen and pencil tray with plan b handles and single tier roller door bookcase fixed on top of pedestal and dual power cut outs in desk height pedestal roller door available in silver and charcoal	1140(h) x 400(w) x 800(d)	S1800 C1800
	4S desk height pedestal - rhs with drop in pen and pencil tray with plan b handles and single tier roller door bookcase fixed on top of pedestal and dual power cut outs in desk height pedestal roller door available in silver and charcoal	1140(h) x 400(w) x 800(d)	S1900 C1900

38² managerial/meeting table and personal assistant



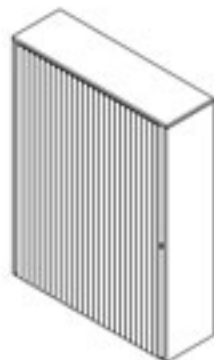
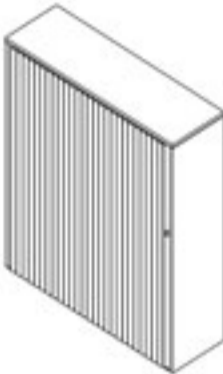

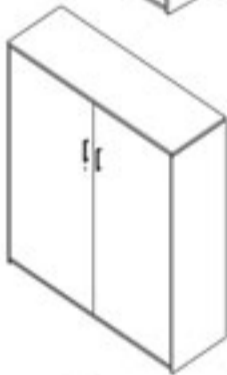
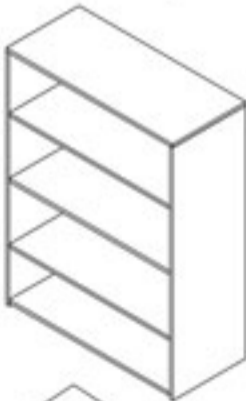
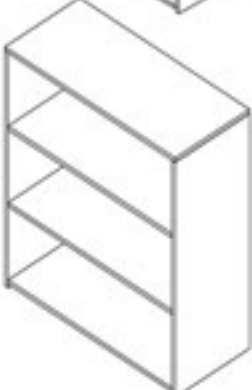
38² - managerial/meeting table and personal assistant

	description	size	code
	rectangular worktop - lhs including desk top - 22mm including 38 ² leg and beam sub structure and steel modesty panel with assembly brackets	2000(w) x 800(d)	2100
	rectangular worktop - rhs	2000(w) x 800(d)	2100B
	rectangular worktop - lhs including desk top - 22mm including 38 ² leg and beam sub structure and steel modesty panel with assembly brackets	1800(w) x 800(d)	2200
	rectangular worktop - rhs	1800(w) x 800(d)	2200B
	credenza - 22mm top with roller door and storage bracket lhs roller door available in silver and charcoal	1200(w) x 500(d)	S8206 C8206
	credenza - 22mm top with roller door and storage bracket rhs roller door available in silver and charcoal	1200(w) x 500(d)	S8207 C8207
	note: refer to page for all internal components for credenzas		
	rectangular l/extension 22mm top including 38 ² leg with manager brackets and two link plates	1200(w) x 500(d)	2300
	square meeting table 22mm top including 38 ² leg and beam sub structure	1200(w) x 1200(d)	2400
	mobile pedestal 1S1F drop in pen & pencil tray with plan b handles	400(w) x 550(d) x 590(h)	PB2009
	mobile pedestal 3S drop in pen & pencil tray with plan b handles	400(w) x 550(d) x 590(h)	PB2007
	mobile pedestal 1S1F with pull out pen & pencil drawer with plan b handles	400(w) x 550(d) x 590(h)	PB2010
	mobile pedestal 3S with pull out pen & pencil drawer with plan b handles	400(w) x 550(d) x 590(h)	PB2008

38² cabinets and bookcase storage



38² - cabinets and bookcase storage

	description	size	code
	cabinet roller door roller door available in silver and charcoal	1800(h) x 1200(w) x 500(d)	S5077
		1800(h) x 1200(w) x 500(d)	C5077
		1500(h) x 1200(w) x 500(d)	S5007
		1500(h) x 1200(w) x 500(d)	C5007
		1500(h) x 900(w) x 500(d)	S5008
		1500(h) x 900(w) x 500(d) 22mm top and bottom	C5008
	cabinet roller door roller door available in silver and charcoal	1200(h) x 1200(w) x 500(d)	S5108
		1200(h) x 1200(w) x 500(d)	C5108
		1200(h) x 900(w) x 500(d)	S5118
		1200(h) x 900(w) x 500(d) 22mm top and bottom	C5118
	available components refer to page 148 - internal components		
	cabinet hinge door with plan b handles	1800(h) x 1100(w) x 500(d)	PB5009C
		1800(h) x 900(w) x 500(d)	PB5009B
		1500(h) x 1100(w) x 500(d)	PB5009A
		1500(h) x 900(w) x 500(d) 22mm top and bottom	PB5009D
	cabinet hinge door with plan b handles	1200(h) x 1100(w) x 500(d)	PB5010
		22mm top and bottom	
	note: refer to page	for all internal components for cabinets	
	bookcase including 22mm laminate shelves	1500(h) x 1100(w) x 350(d)	PB5011
		1500(h) x 900(w) x 500(d) 22mm top and bottom	PB5011A
	bookcase including 22mm laminate shelves	1200(h) x 1100(w) x 350(d)	PB5012
		1200(h) x 900(w) x 350(d) 22mm top and bottom	PB5012A




in the office
FURNITURE

MAKE YOUR WORKPLACE A HAPPY SPACE

Contact Adel on 063 246 2997 or Michael on 083 627 8203
adel@itofurniture.co.za or michael@itofurniture.co.za
www.itofurniture.co.za